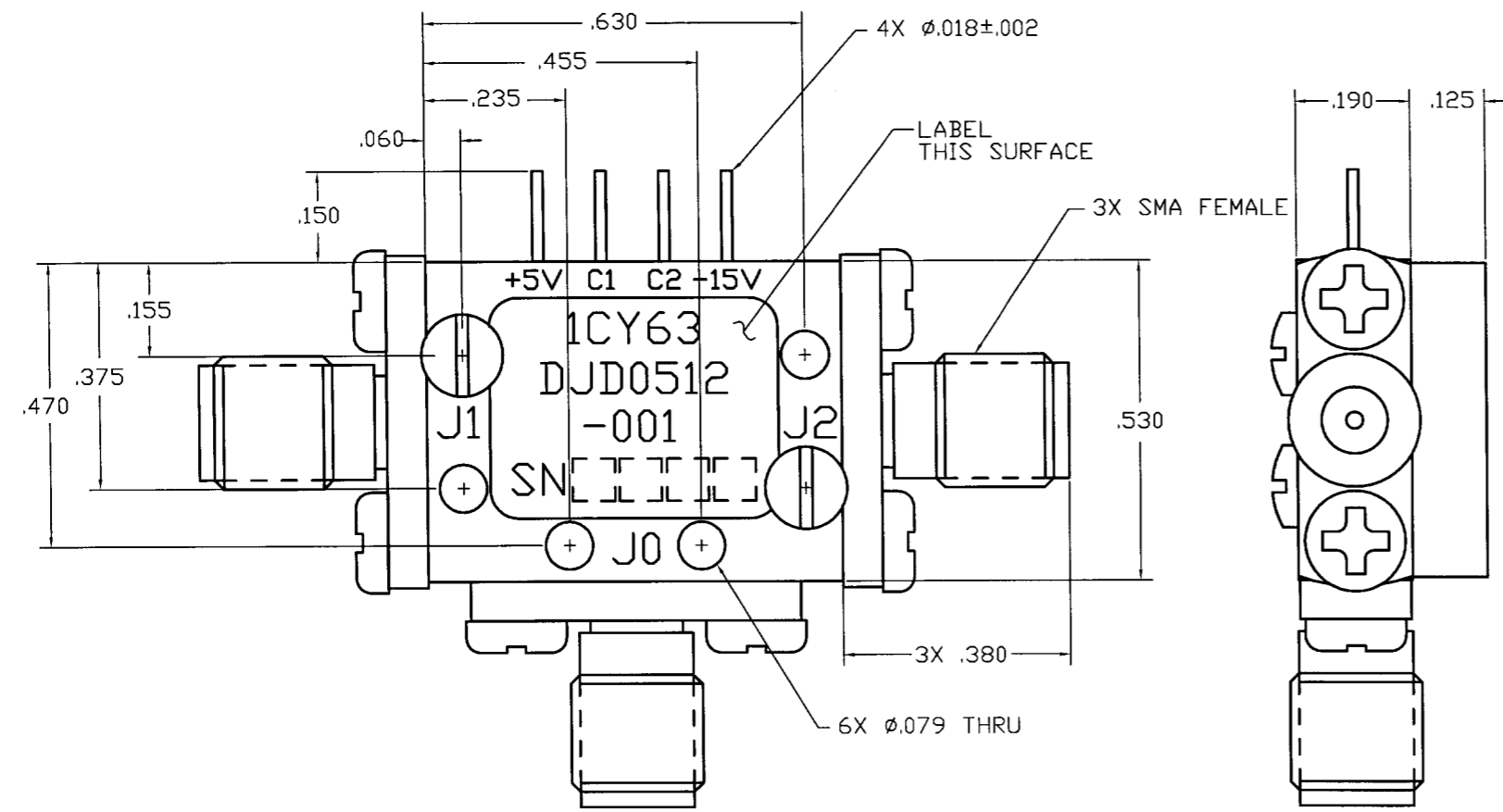
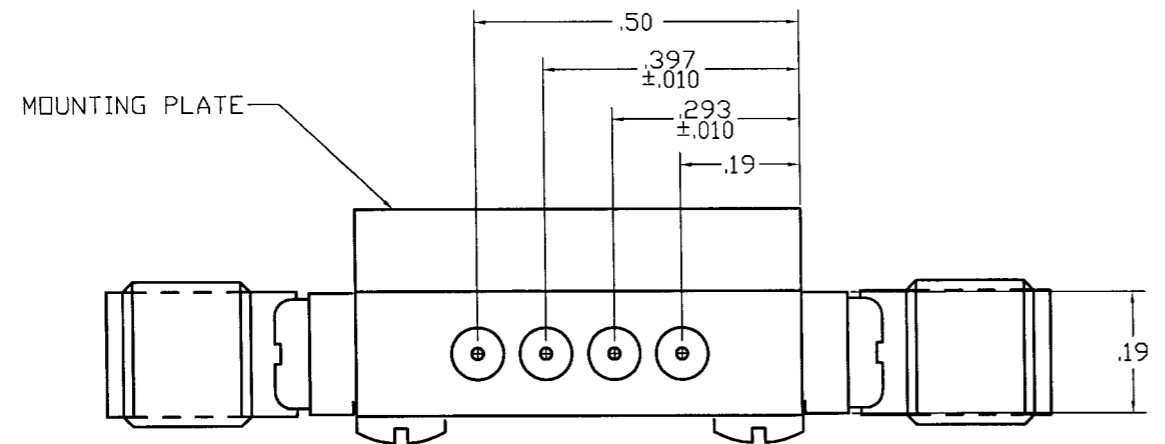


COMPUTER GENERATED DRAWING  
MANUAL CHANGES NOT AUTHORIZED

REVISIONS

REV.	DESCRIPTION	DATE	RELEASED BY
NC	INITIAL RELEASE	4-30-02	ST
A	REV PER ECN: 6822, 9830	5-05-05	R.TS



SPECIFICATIONS:

FREQUENCY RANGE:	0.5 TO 12.0 GHz
VSWR(50 OHM):	1.8:1 MAX
ISOLATION:	.5 TO 12.0 GHz 60 dB MIN
INSERTION LOSS:	0.5 TO 4.0 GHz 1.3 dB MAX 4.0 TO 12.0 GHz 1.8 dB MAX
SWITCHING SPEED:	75 NANO SECONDS
TEMPERATURE:	OPERATING -55°C TO +100°C STORAGE -65°C TO +125°C
CONTROL:	TTL LOW: INSERTION LOSS TTL HIGH: ISOLATION
DC BIAS:	+5V @ 75mA MAX. -15V @ 50mA MAX.

ITEM	QTY REQ'D	FSCM NO.	PART OR IDENTIFICATION NO.	NOMENCLATURE OR DESCRIPTION	MATERIAL SPECIFICATION
<b>PARTS LIST</b>					
UNLESS OTHERWISE SPECIFIED DIMENSIONS ARE IN INCHES TOLERANCES ARE: FRACTIONS DECIMALS ANGLES ± .XX± .02 ± ± .XXX± .010				CONTRACT NO.	
MATERIAL:				APPROVALS	
FINISH:				DATE	
603-0002-001				DRAWN: D STALEY 4-29-02	
LIST OF MAT'L USED ON				CHECKED:	
APPLICATION				DESIGN ENG. S TURPIN 4-30-02	
DO NOT SCALE DRAWING				MAT. & PROCESSES	
				Q.A.	
				TITLE:	
				SMT SIERRA MICROWAVE TECHNOLOGY	
				OUTLINE FOR DJD0512-001	
		SIZE	FSCM NO.	DWG NO.	REV
		B	1CY63	605-0517-001	A
		BRDR SCALE	SHEET OF		