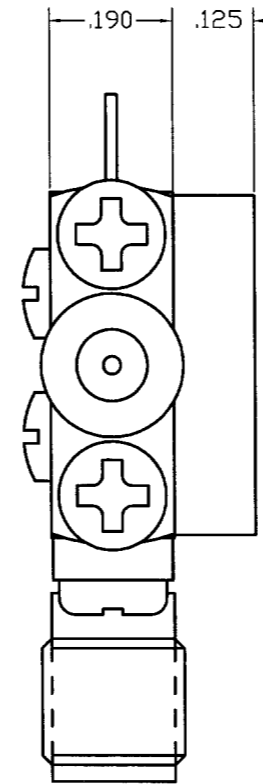
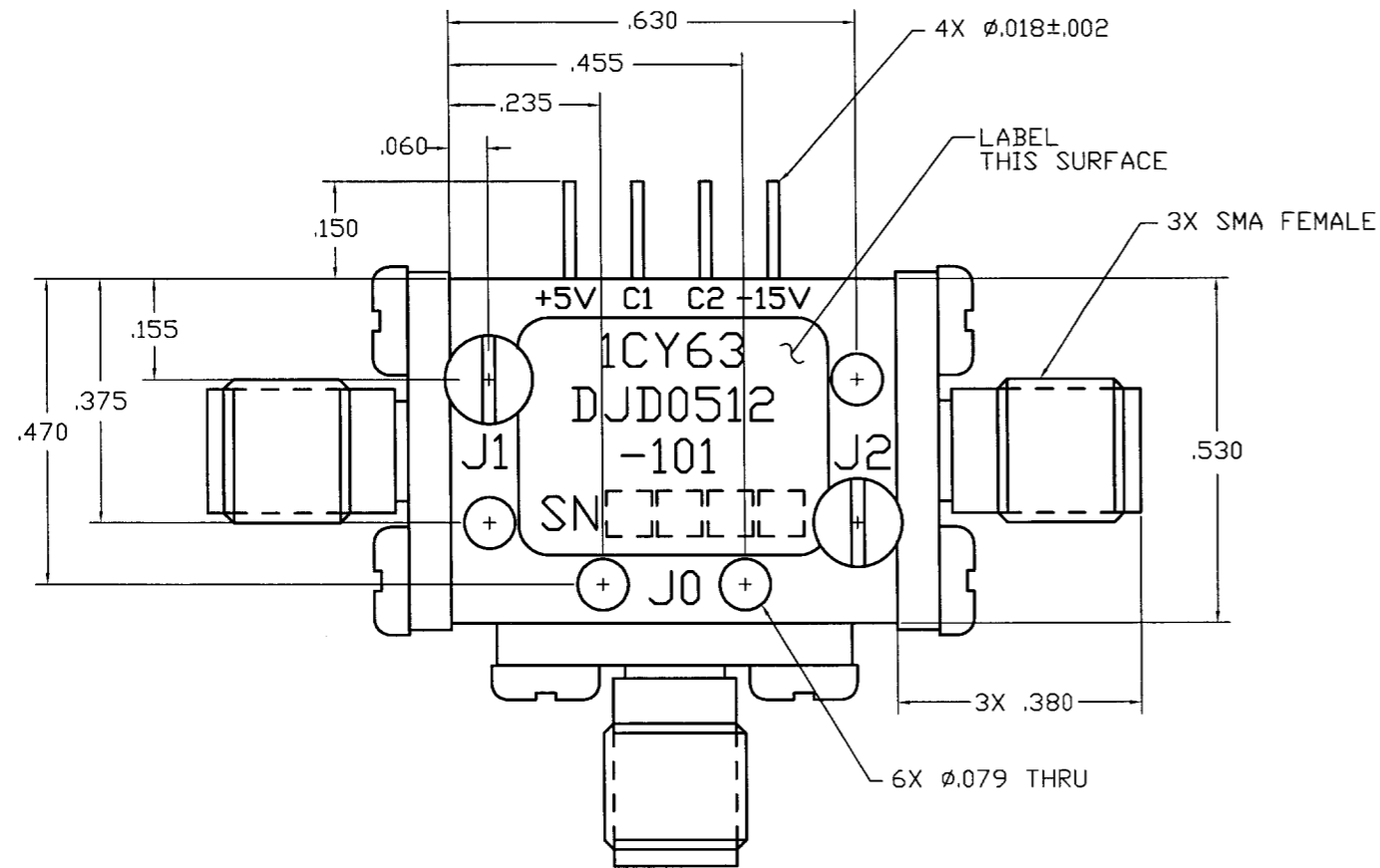
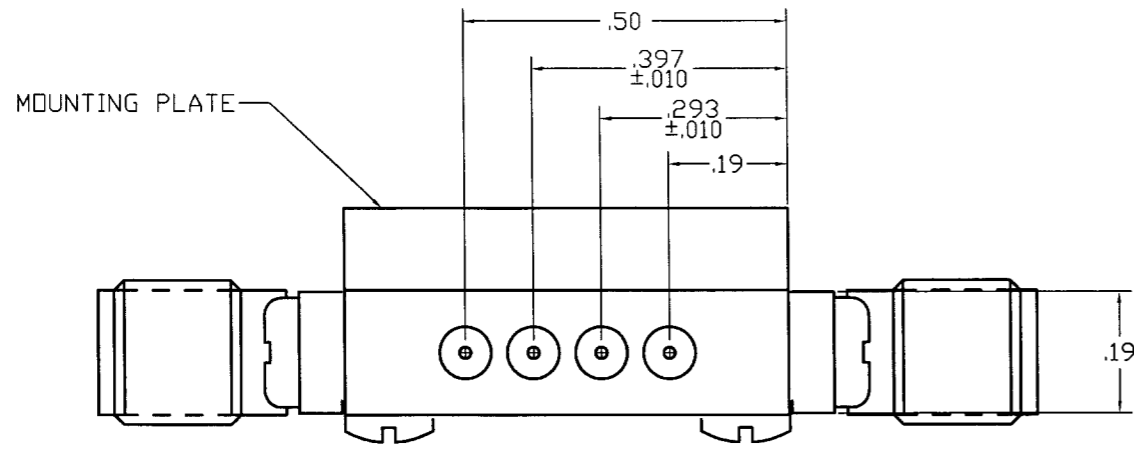


COMPUTER GENERATED DRAWING  
MANUAL CHANGES NOT AUTHORIZED

REVISIONS

REV.	DESCRIPTION	DATE	RELEASED BY
NC	INITIAL RELEASE	12-11-92	LD
A	REV PER ECN: 6822, 9830	4-4-05	LD



SPECIFICATIONS:

FREQUENCY RANGE:	0.5 TO 12.0 GHz	
VSWR(50 OHM):	0.5 TO 12.0 GHz	2.0:1 MAX
ISOLATION:	0.5 TO 12.0 GHz	60 dB MIN
INSERTION LOSS:	0.5 TO 4.0 GHz	1.7 dB MAX
	4.0 TO 8.0 GHz	2.2 dB MAX
	8.0 TO 12.0 GHz	2.3 dB MAX
SWITCHING SPEED:	100 NANO SECONDS	
TEMPERATURE:		
OPERATING	-55°C TO +100°C	
STORAGE	-65°C TO +125°C	
CONTROL:	TTL LOW: INSERTION LOSS	
	TTL HIGH: ISOLATION	
DC BIAS:	+5V @ 100mA MAX.	
	-15V @ 75mA MAX.	

ITEM	QTY REQ'D	FSCM NO.	PART OR IDENTIFICATION NO.	NOMENCLATURE OR DESCRIPTION	MATERIAL SPECIFICATION
<b>PARTS LIST</b>					
UNLESS OTHERWISE SPECIFIED DIMENSIONS ARE IN INCHES TOLERANCES ARE: FRACTIONS    DECIMALS    ANGLES ±                .XX± .02 ±                ° .XXX± .010				CONTRACT NO.	
MATERIAL:				APPROVALS	DATE
				DRAWN: S REED	11-27-95
FINISH:				CHECKED:	
				DESIGN ENG. BM	11-27-95
Q.A.				MAT. & PROCESSES	
603-0017-001		DJD0512-101		SIZE B	FSCM NO. 1CY63
LIST OF MAT'L USED ON				DWG NO. 605-0291-001	REV A
APPLICATION		DO NOT SCALE DRAWING		BRDR SCALE	SHEET OF