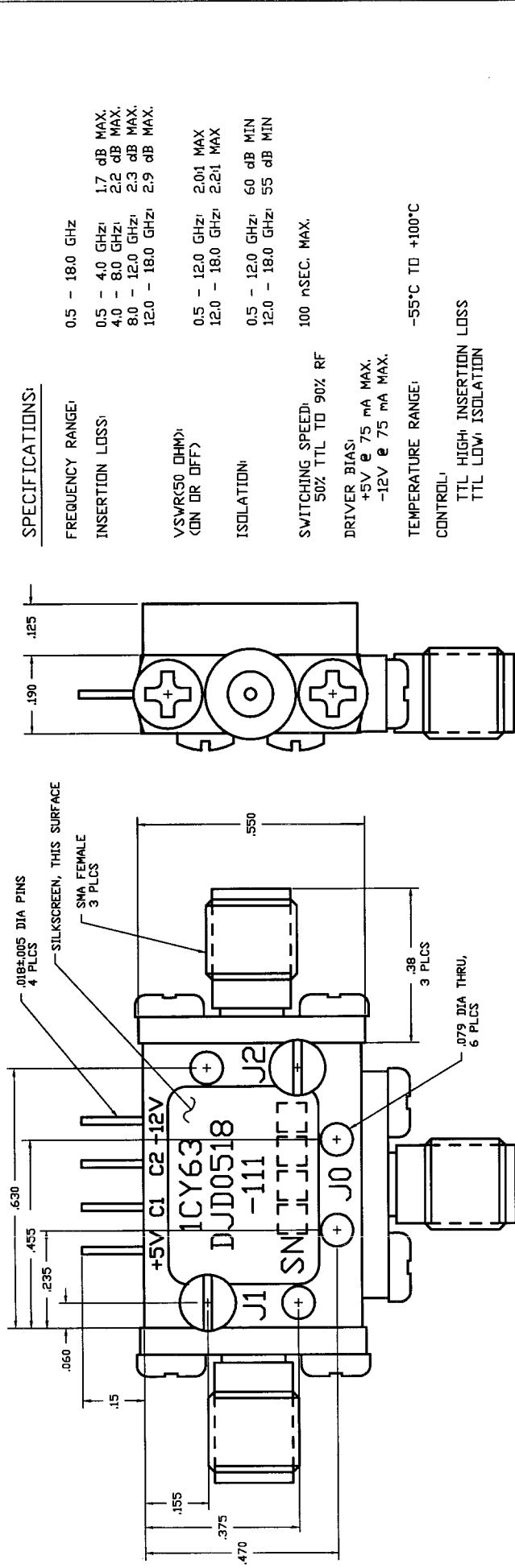
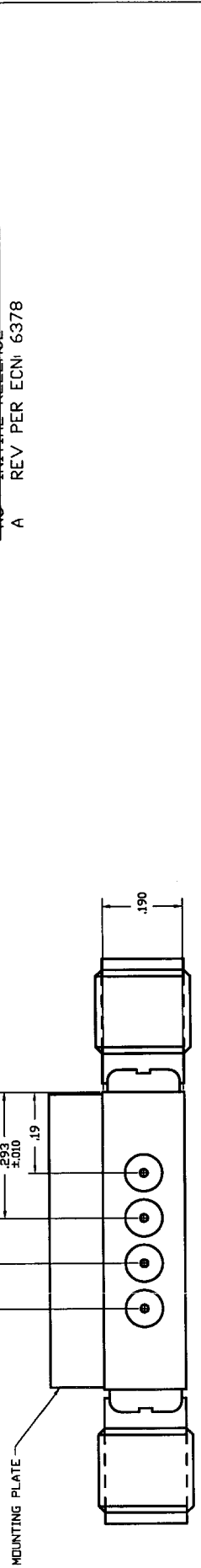


REV.	DESCRIPTION	DATE	APPROVED
NC	INITIAL RELEASE		
A	REV PER ECN: 6378		



SPECIFICATIONS:

- FREQUENCY RANGE: 0.5 - 18.0 GHz
- INSERTION LOSS: 0.5 - 4.0 GHz: 1.7 dB MAX, 4.0 - 8.0 GHz: 2.2 dB MAX, 8.0 - 12.0 GHz: 2.3 dB MAX, 12.0 - 18.0 GHz: 2.9 dB MAX
- VSWR(50 OHM): (IN OR OFF) 0.5 - 12.0 GHz: 2.0:1 MAX, 12.0 - 18.0 GHz: 2.2:1 MAX
- ISOLATION: 0.5 - 12.0 GHz: 60 dB MIN, 12.0 - 18.0 GHz: 55 dB MIN
- SWITCHING SPEED: 100 nSEC. MAX. 50% TTL TO 90% RF
- DRIVER BIAS: +5V @ 75 mA MAX., -12V @ 75 mA MAX.
- TEMPERATURE RANGE: -55°C TO +100°C
- CONTROL: TTL HIGH: INSERTION LOSS, TTL LOW: ISOLATION

SIERRA MICROWAVE TECHNOLOGY		DATE	
		APPROVALS	DATE
FRACTIONS DECIMALS ANGLES .XXE .0E ± .XXXE .010		DRAWN: J.Crawford	
MATERIAL		CHECKED	
FINISH		ISSUED	
603-0013-001	DJD0518-111	SIZE	FSCM NO.
NEXT ASSY	USED DN	B	1CY63
APPLICATION		DWG. NO.	605-0095-001
		SCALE	REV.