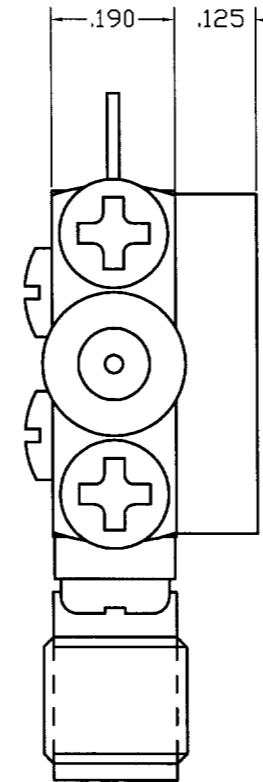
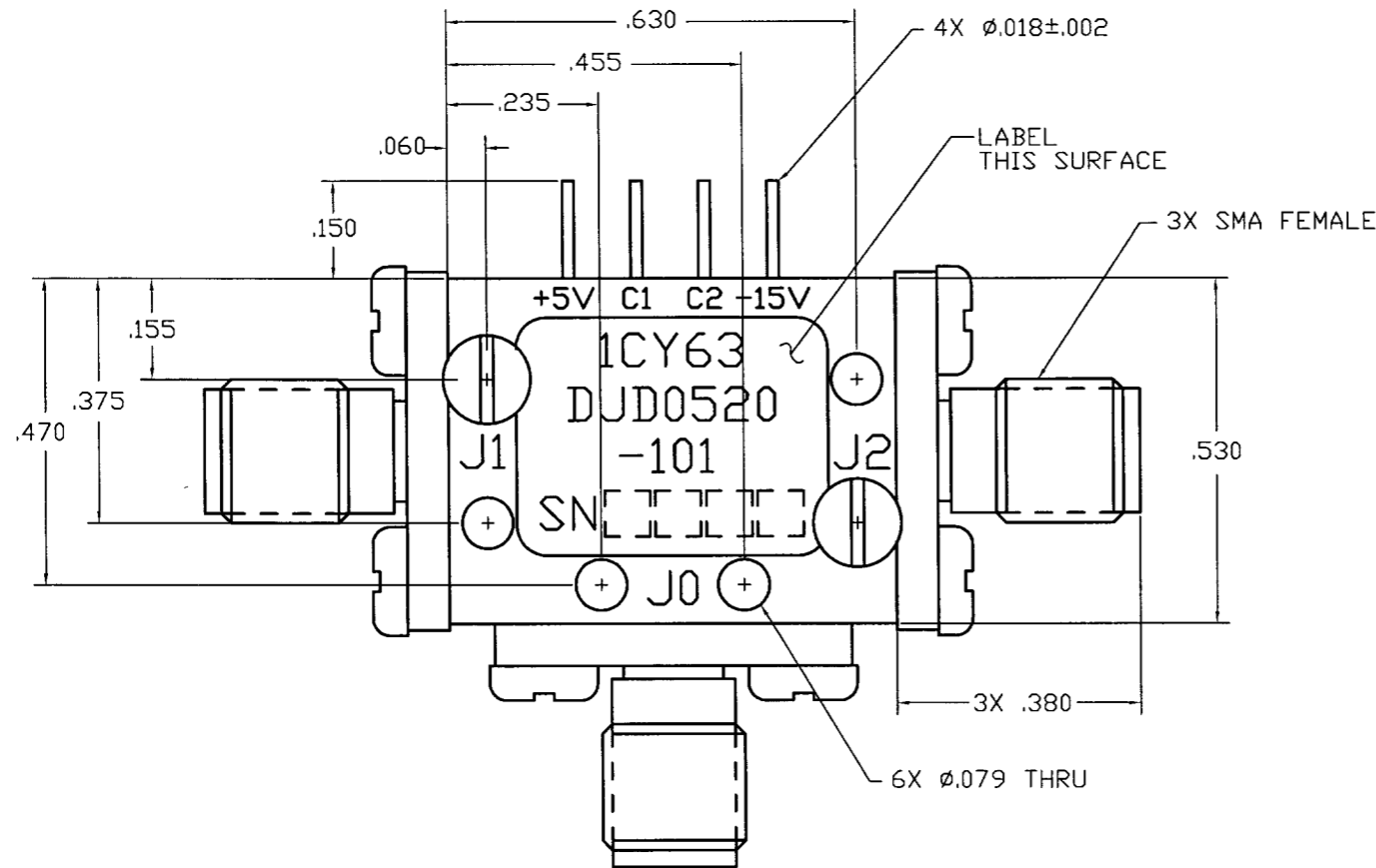
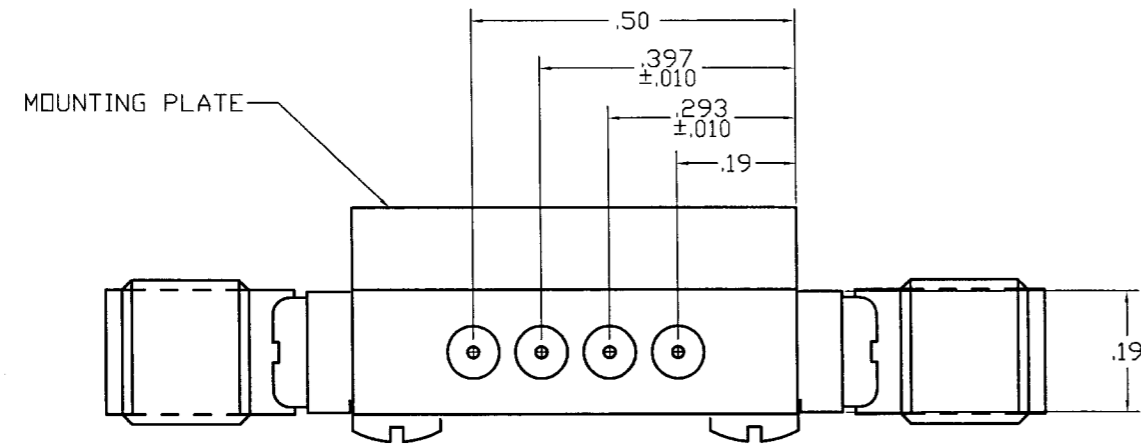


COMPUTER GENERATED DRAWING
MANUAL CHANGES NOT AUTHORIZED

REVISIONS

REV.	DESCRIPTION	DATE	RELEASED BY
NC	INITIAL RELEASE	9-25-95	BM
A	REV PER ECN: 9830, 6822	4-5-05	<i>[Signature]</i>



SPECIFICATIONS:

FREQUENCY RANGE:	0.5 TO 20.0 GHz	
VSWR(50 OHM):	0.5 TO 12.0 GHz	2.0:1 MAX
	12.0 TO 18.0 GHz	2.2:1 MAX
	18.0 TO 20.0 GHz	2.4:1 MAX
ISOLATION:	60 dB MIN	
INSERTION LOSS:	0.5 TO 4.0 GHz	1.7 dB MAX
	4.0 TO 8.0 GHz	2.2 dB MAX
	8.0 TO 12.0 GHz	2.3 dB MAX
	12.0 TO 18.0 GHz	2.9 dB MAX
	18.0 TO 20.0 GHz	3.3 dB MAX
SWITCHING SPEED:	100 NANO SECONDS	
TEMPERATURE:		
OPERATING	-55°C TO +100°C	
STORAGE	-65°C TO +125°C	
CONTROL:	TTL LOW: INSERTION LOSS TTL HIGH: ISOLATION	
DC BIAS:	+5V @ 100mA MAX. -15V @ 75mA MAX.	

603-0017-001	DJD0520-101
LIST OF MAT'L	USED ON
APPLICATION	

ITEM	QTY REQ'D	FSCM NO.	PART OR IDENTIFICATION NO.	NOMENCLATURE OR DESCRIPTION	MATERIAL SPECIFICATION
PARTS LIST					
UNLESS OTHERWISE SPECIFIED DIMENSIONS ARE IN INCHES TOLERANCES ARE: FRACTIONS DECIMALS ANGLES ± .XX ± .02 ± ± .XXX ± .010			CONTRACT NO.		 TITLE: OUTLINE FOR DJD0520-101
MATERIAL:			APPROVALS	DATE	
FINISH:			DRAWN: J JAMES	9-22-95	
			CHECKED:		
			DESIGN ENG. BM	9-25-95	
			MAT. & PROCESSES		
			Q.A.		
			SIZE B	FSCM NO. 1CY63	DWG NO. 605-0272-001
			BRDR SCALE		REV A
					SHEET OF

DO NOT SCALE DRAWING