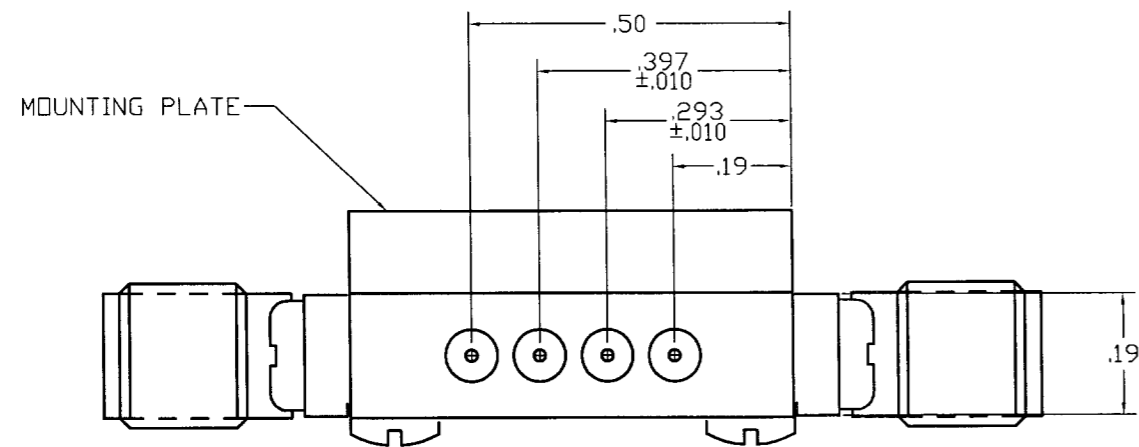


COMPUTER GENERATED DRAWING
MANUAL CHANGES NOT AUTHORIZED

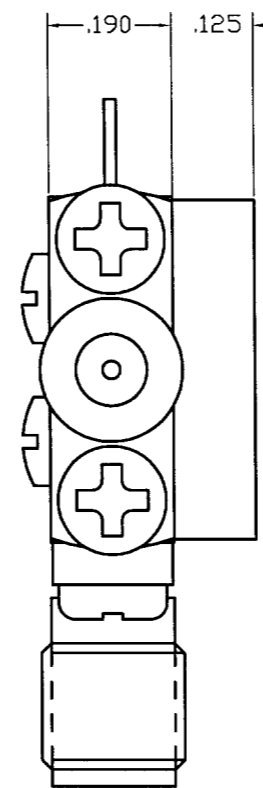
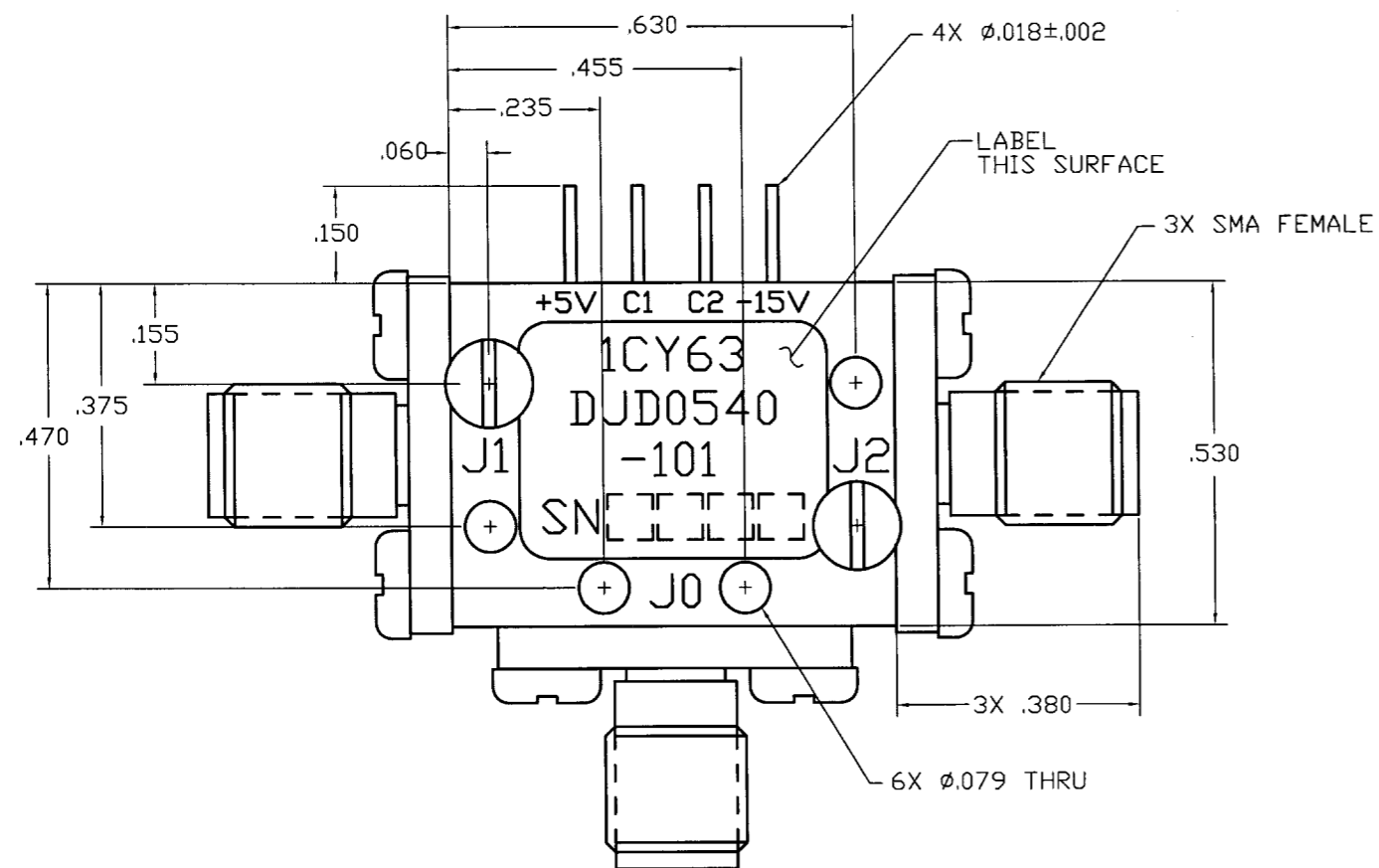
REVISIONS

REV.	DESCRIPTION	DATE	RELEASED BY
NC	INITIAL RELEASE	7-07-94	KN
A	REV PER ECN: 6822, 9830	4-4-05	[Signature]



SPECIFICATIONS:

FREQUENCY RANGE:	0.5 TO 4.0 GHz
VSWR<50 OHM>:	2.0:1 MAX
ISOLATION:	60 dB MIN
INSERTION LOSS:	1.7 dB MAX
SWITCHING SPEED:	100 NANO SECONDS
TEMPERATURE:	
OPERATING	-55°C TO +100°C
STORAGE	-65°C TO +125°C
CONTROL:	TTL LOW: INSERTION LOSS TTL HIGH: ISOLATION
DC BIAS:	+5V @ 100mA MAX. -15V @ 75mA MAX.



ITEM	QTY REQ'D	FSCM NO.	PART OR IDENTIFICATION NO.	NOMENCLATURE OR DESCRIPTION	MATERIAL SPECIFICATION			
PARTS LIST								
UNLESS OTHERWISE SPECIFIED DIMENSIONS ARE IN INCHES TOLERANCES ARE: FRACTIONS DECIMALS ANGLES * .XX± .02 ± .XXX±.010			CONTRACT NO.		 TITLE: OUTLINE FOR DJD0540-101			
MATERIAL:			APPROVALS	DATE				
FINISH:			DRAWN: SCHIRMER	7-06-94				
LIST OF MAT'L			CHECKED:					
USED ON			DESIGN ENG. K NENDZA	7-07-94				
APPLICATION			MAT. & PROCESSES		SIZE	FSCM NO.	DWG NO.	REV
DO NOT SCALE DRAWING			Q.A.		B	1CY63	605-0137-001	A
					BRDR SCALE		SHEET	OF