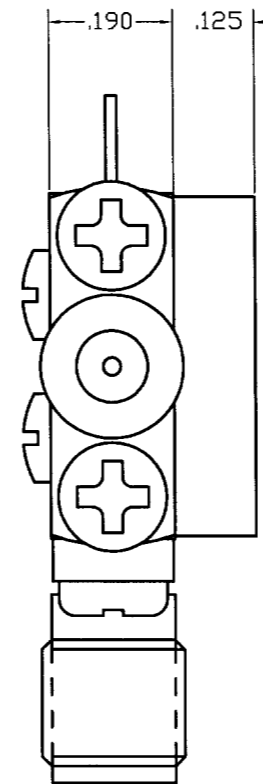
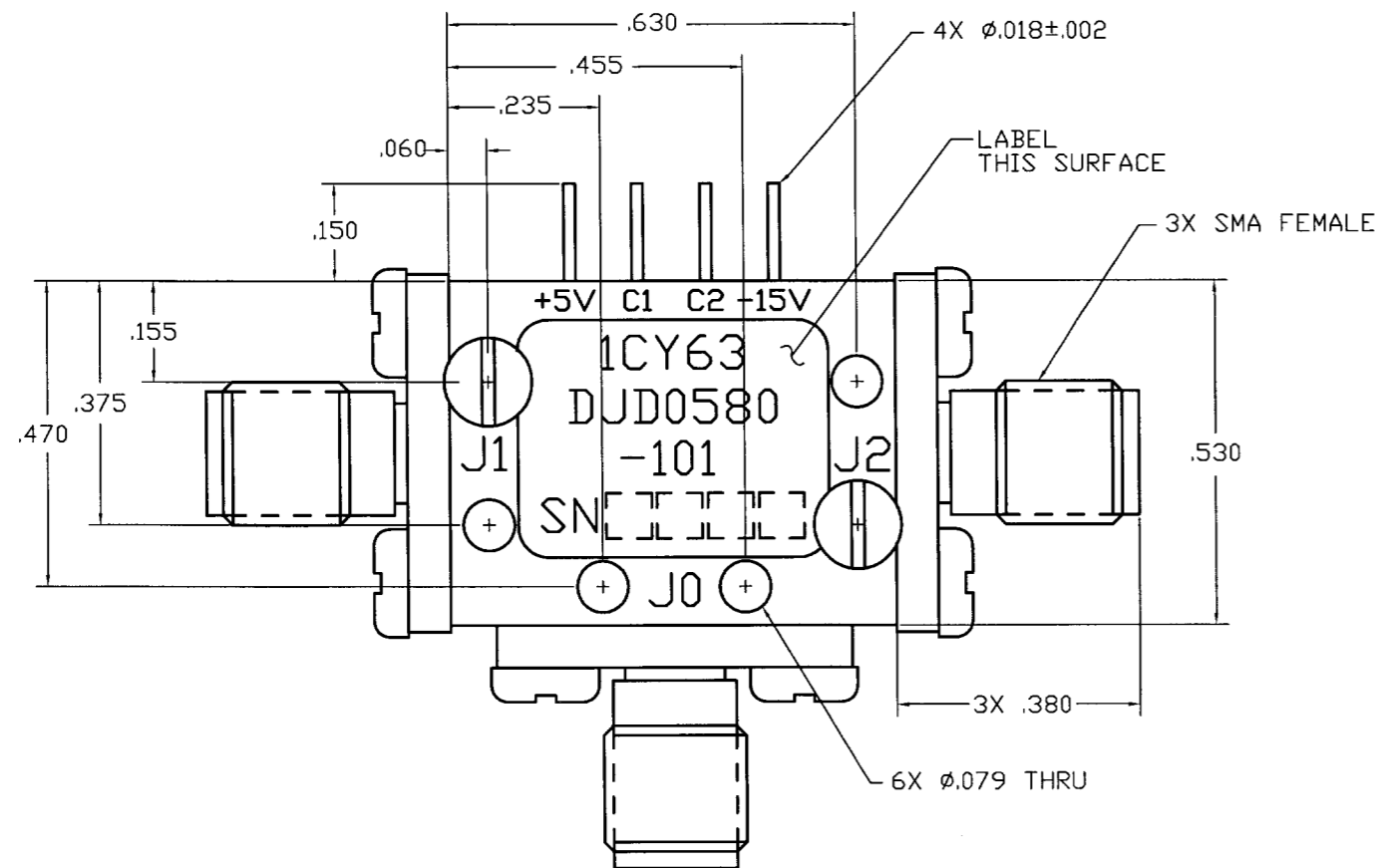
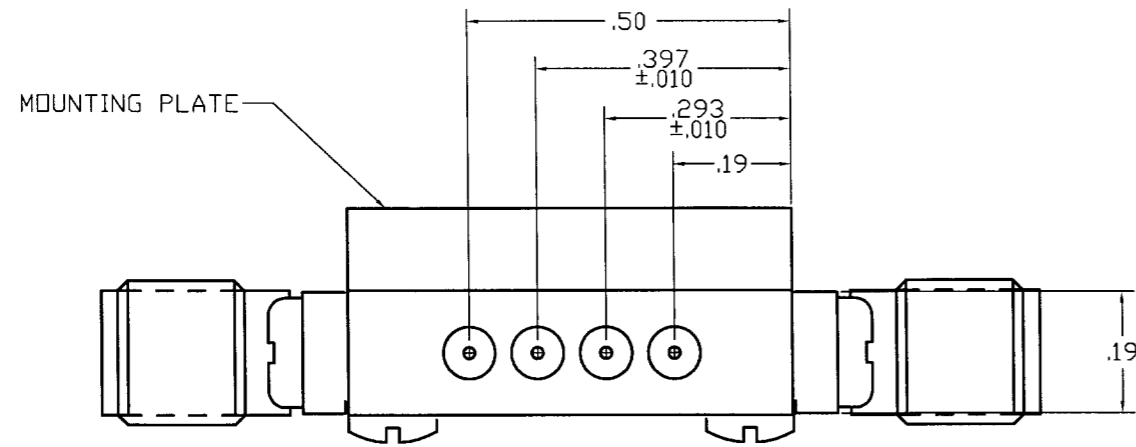


COMPUTER GENERATED DRAWING
MANUAL CHANGES NOT AUTHORIZED

REVISIONS

REV.	DESCRIPTION	DATE	RELEASED BY
NC	INITIAL RELEASE	7-07-94	KN
A	REV PER ECN: 6822, 9830	4-4-05	AK



SPECIFICATIONS:

FREQUENCY RANGE:	0.5 TO 8.0 GHz
VSWR(50 OHM):	2.0:1 MAX
ISOLATION:	60 dB MIN
INSERTION LOSS:	0.5 TO 4.0 GHz 1.7 dB MAX 4.0 TO 8.0 GHz 2.2 dB MAX
SWITCHING SPEED:	100 NANO SECONDS
TEMPERATURE:	OPERATING -55°C TO +100°C STORAGE -65°C TO +125°C
CONTROL:	TTL LOW: INSERTION LOSS TTL HIGH: ISOLATION
DC BIAS:	+5V @ 100mA MAX. -15V @ 75mA MAX.

ITEM	QTY REQ'D	FSCM NO.	PART OR IDENTIFICATION NO.	NOMENCLATURE OR DESCRIPTION	MATERIAL SPECIFICATION												
PARTS LIST																	
UNLESS OTHERWISE SPECIFIED DIMENSIONS ARE IN INCHES TOLERANCES ARE: FRACTIONS DECIMALS ANGLES ± .XX± .02 ± ± .XXX± .010			CONTRACT NO.		 TITLE: OUTLINE FOR DJD0580-101												
MATERIAL:			APPROVALS	DATE													
FINISH:			DRAWN: SCHIRMER	7-06-94													
LIST OF MAT'L USED ON			CHECKED:	DESIGN ENG. K NENDZA		7-07-94											
APPLICATION			DO NOT SCALE DRAWING		<table border="1" style="width: 100%;"> <tr> <td>SIZE</td> <td>FSCM NO.</td> <td>DWG NO.</td> <td>REV</td> </tr> <tr> <td>B</td> <td>1CY63</td> <td>605-0191-001</td> <td>A</td> </tr> <tr> <td>BRDR SCALE</td> <td colspan="2">SHEET OF</td> <td></td> </tr> </table>	SIZE	FSCM NO.	DWG NO.	REV	B	1CY63	605-0191-001	A	BRDR SCALE	SHEET OF		
SIZE	FSCM NO.	DWG NO.	REV														
B	1CY63	605-0191-001	A														
BRDR SCALE	SHEET OF																