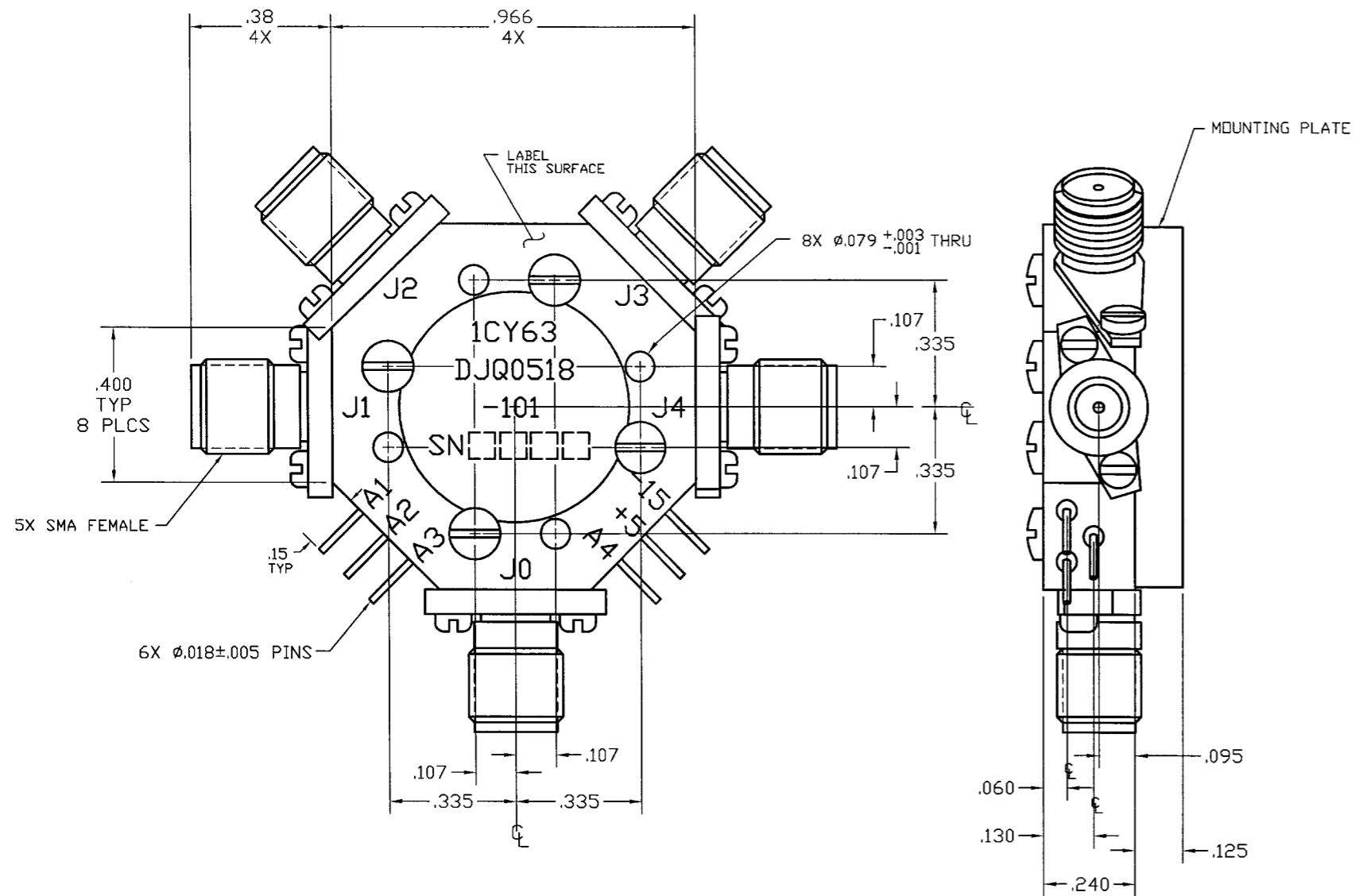


COMPUTER GENERATED DRAWING  
MANUAL CHANGES NOT AUTHORIZED

REVISIONS

REV.	DESCRIPTION	DATE	RELEASED BY
NC	INITIAL RELEASE	9-28-94	KN
A	REV PER ECN: 5833	3-10-97	BM
B	REV PER ECN: 6822, 9830	5-17-2003	RCS



SPECIFICATIONS:

FREQUENCY:	0.5 - 18.0 GHz		
INSERTION LOSS:	0.5-4.0 GHz	1.9 dB	MAX
	4.0-8.0 GHz	2.6 dB	MAX
	8.0-12.0 GHz	2.7 dB	MAX
	12.0-18.0 GHz	3.5 dB	MAX
VSWR: (J0 ON ONLY) (J1 - J4 ON OR OFF)	0.5-12.0 GHz	2.0:1	MAX
	12.0-18.0 GHz	2.2:1	MAX
ISOLATION:	60 dB MIN		
SWITCHING SPEED:	100 nSEC		
CONTROL:	TTL LOW - INSERTION LOSS		
	TTL HI - ISOLATION		
TEMPERATURE:	OPERATING:	-54° TO +100° C	
	STORAGE:	-54° TO +100° C	
BIAS CONDITIONS:	+5V @ 200 mA MAX		
	-15V @ 75 mA MAX		

ITEM	QTY REQ'D	FSCM NO.	PART OR IDENTIFICATION NO.	NOMENCLATURE OR DESCRIPTION	MATERIAL SPECIFICATION
<b>PARTS LIST</b>					
UNLESS OTHERWISE SPECIFIED DIMENSIONS ARE IN INCHES TOLERANCES ARE: FRACTIONS DECIMALS ANGLES ± .XX± .02 ± .XXX± .010				CONTRACT NO.	
				<b>SMT SIERRA MICROWAVE TECHNOLOGY</b>	
MATERIAL:				APPROVALS	DATE
				DRAWN: PJC	9-27-94
FINISH:				CHECKED:	
				DESIGN ENG. K NENDZA	9-28-94
Q.A.				MAT. & PROCESSES	
603-0002-001 DJQ0518-101				SIZE B	FSCM NO. 1CY63
LIST OF MAT'L USED ON				DWG NO. 605-0168-001	REV B
APPLICATION				BRDR SCALE	SHEET OF
DO NOT SCALE DRAWING					