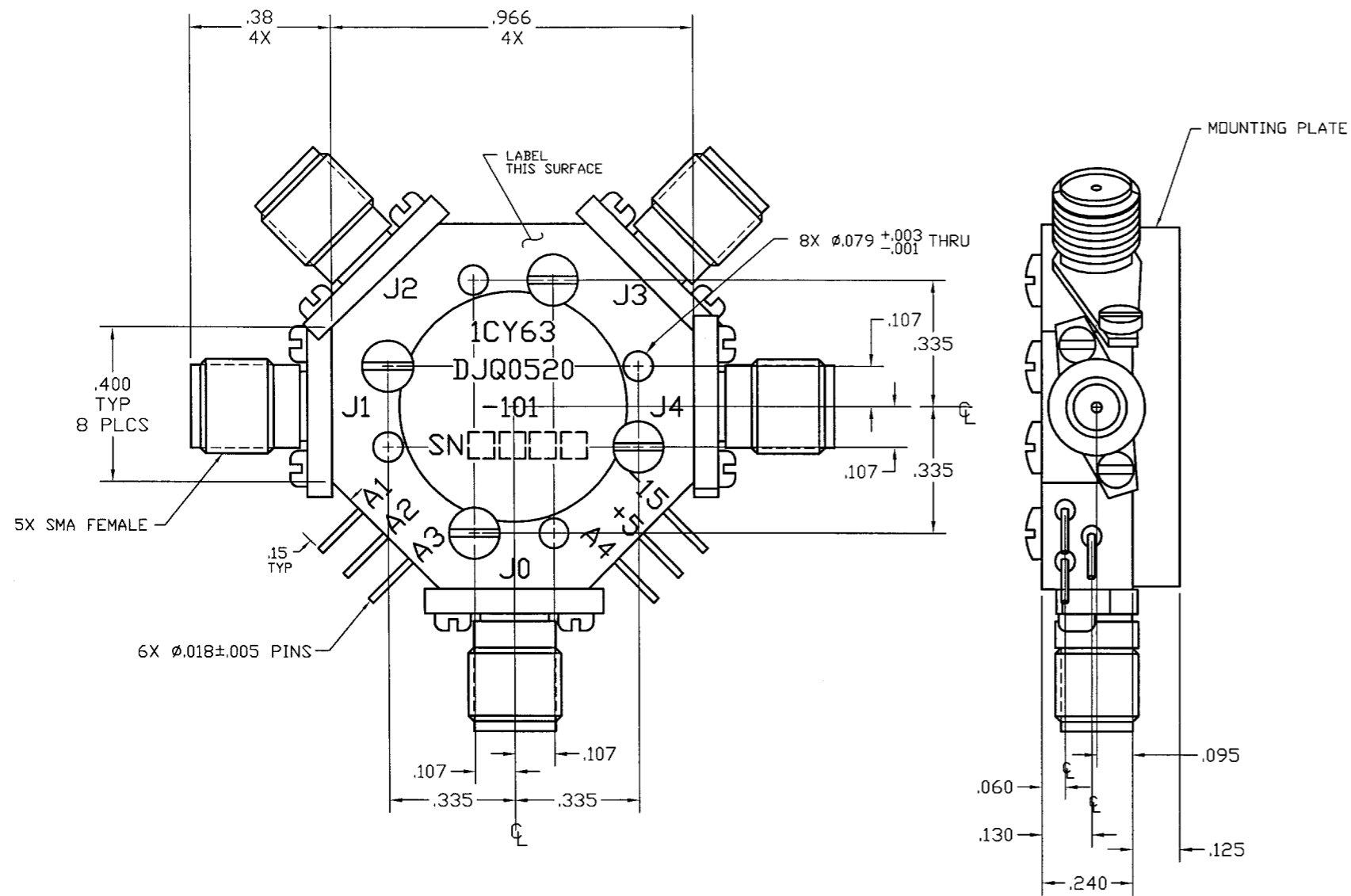


COMPUTER GENERATED DRAWING  
MANUAL CHANGES NOT AUTHORIZED

REVISIONS

REV.	DESCRIPTION	DATE	RELEASED BY
NC	INITIAL RELEASE	11-09-95	BM
A	REV PER ECN: 8119	2-01-02	ST
B	REV PER ECN: 6822, 9830	5-17-2005	R.T.S



SPECIFICATIONS:

FREQUENCY:	0.5 - 20.0 GHz		
INSERTION LOSS:	0.5-4.0 GHz	1.9 dB	MAX
	4.0-8.0 GHz	2.6 dB	MAX
	8.0-12.0 GHz	2.7 dB	MAX
	12.0-18.0 GHz	3.5 dB	MAX
	18.0-20.0 GHz	3.9 dB	MAX
VSWR: (J0 ON ONLY) (J1 - J4 ON OR OFF)	0.5-12.0 GHz	2.0:1	MAX
	12.0-20.0 GHz	2.2:1	MAX
ISOLATION:	60 dB MIN		
SWITCHING SPEED:	100 nSEC		
CONTROL:	TTL LOW - INSERTION LOSS		
	TTL HI - ISOLATION		
TEMPERATURE:	OPERATING:	-54° TO +100° C	
	STORAGE:	-54° TO +100° C	
BIAS CONDITIONS:	+5V @ 200 mA MAX		
	-15V @ 75 mA MAX		

ITEM	QTY REQ'D	FSCM NO.	PART OR IDENTIFICATION NO.	NOMENCLATURE OR DESCRIPTION	MATERIAL SPECIFICATION
<b>PARTS LIST</b>					
UNLESS OTHERWISE SPECIFIED DIMENSIONS ARE IN INCHES TOLERANCES ARE: FRACTIONS DECIMALS ANGLES ± .XX± .02 ± XXX± .010				CONTRACT NO.	<b>SMT</b> SIERRA MICROWAVE TECHNOLOGY  TITLE:  OUTLINE FOR DJQ0520-101
MATERIAL:				DRAWN: J JAMES 11-06-95	
FINISH:				CHECKED:	
				DESIGN ENG. B MESKOOB 11-09-95	
				MAT. & PROCESSES	
				Q.A.	
603-0042-001		DJQ0520-101		SIZE B	FSCM NO. 1CY63
LIST OF MAT'L		USED ON		DWG NO. 605-0289-001	
APPLICATION		DO NOT SCALE DRAWING		BRDR SCALE	SHEET OF
				REV B	