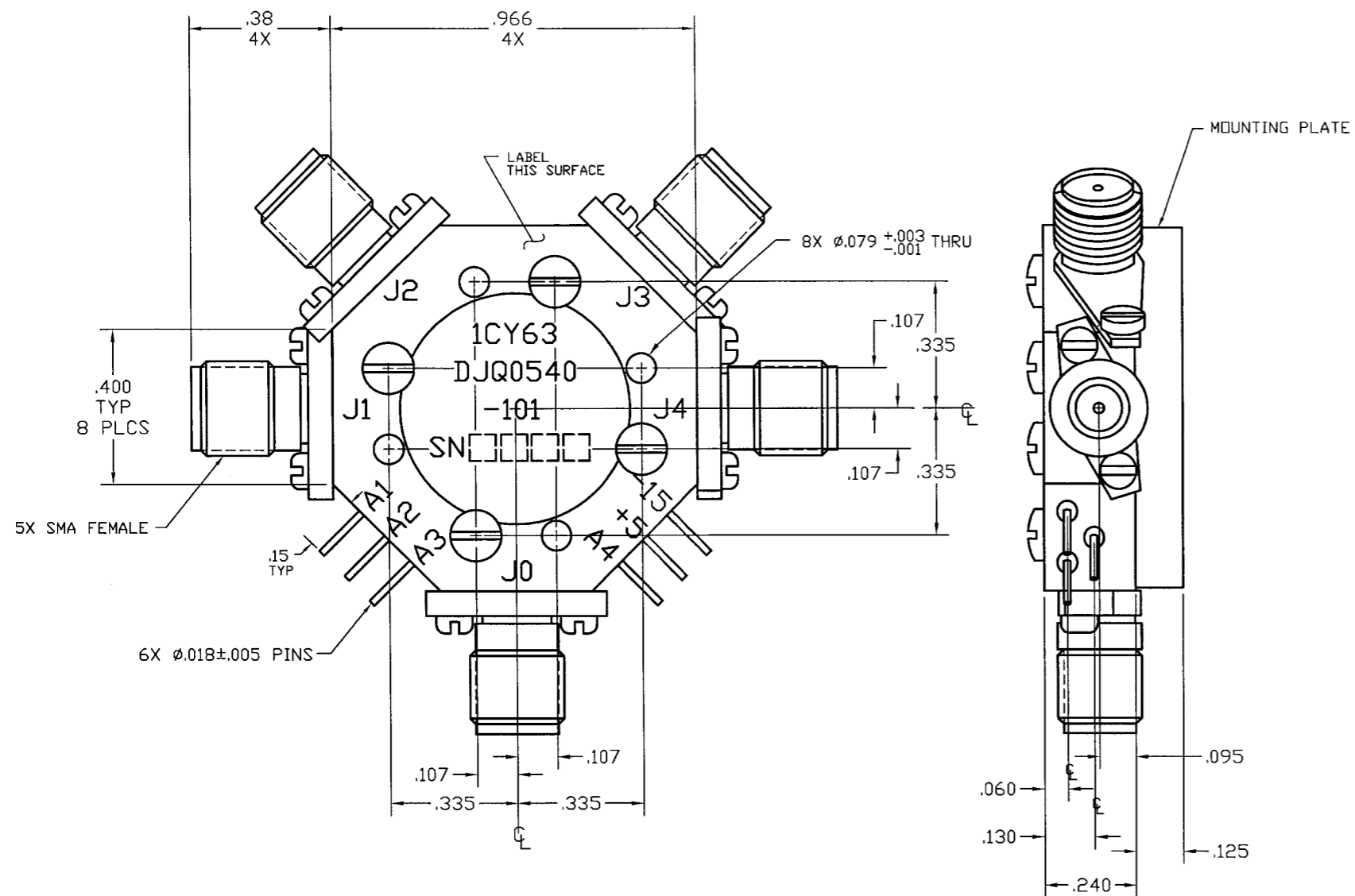


COMPUTER GENERATED DRAWING  
MANUAL CHANGES NOT AUTHORIZED

REVISIONS

REV.	DESCRIPTION	DATE	RELEASED BY
NC	INITIAL RELEASE	11-25-91	LD
A	REV PER ECN: 3472	10-28-92	LD
B	REV PER ECN: 6822, 9830	11-17-2005	P.T.S



SPECIFICATIONS:

FREQUENCY:	0.5 - 4.0 GHz
INSERTION LOSS:	1.9 dB MAX
VSWR: (J0 ON ONLY) (J1 - J4 ON OR OFF)	2.0:1 MAX
ISOLATION:	60 dB MIN
SWITCHING SPEED:	100 nSEC
CONTROL:	TTL LOW - INSERTION LOSS TTL HI - ISOLATION
TEMPERATURE:	OPERATING: -54° TO +100° C STORAGE: -54° TO +100° C
BIAS CONDITIONS:	+5V @ 200 mA MAX -15V @ 75 mA MAX

ITEM	QTY REQ'D	FSCM NO.	PART OR IDENTIFICATION NO.	NOMENCLATURE OR DESCRIPTION	MATERIAL SPECIFICATION		
<b>PARTS LIST</b>							
UNLESS OTHERWISE SPECIFIED DIMENSIONS ARE IN INCHES TOLERANCES ARE: FRACTIONS DECIMALS ANGLES ± .XX ± .02 ± .XXX ± .010				CONTRACT NO.			
				<b>SMT SIERRA MICROWAVE TECHNOLOGY</b>			
MATERIAL:				APPROVALS	DATE		
				DRAWN: PJC 11-22-91			
FINISH:				CHECKED:			
				DESIGN ENG. L DORION 11-25-91			
Q.A.				MAT. & PROCESSES			
603-0082-001 DJQ0540-101				SIZE	FSCM NO.	DWG NO.	REV
LIST OF MAT'L USED ON				B	1CY63	605-0079-001	B
APPLICATION				DO NOT SCALE DRAWING		SHEET OF	