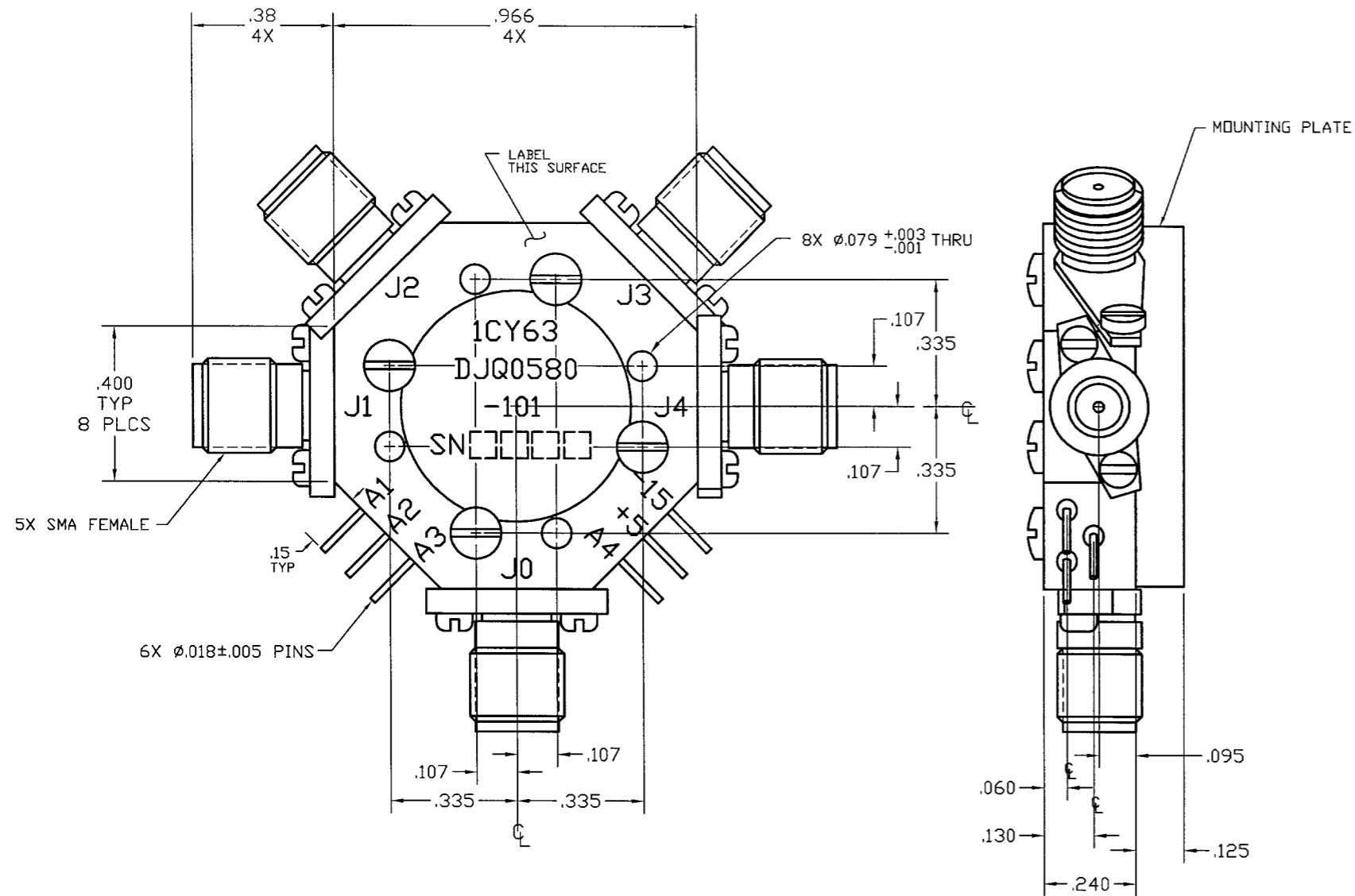


COMPUTER GENERATED DRAWING
MANUAL CHANGES NOT AUTHORIZED

REVISIONS

REV.	DESCRIPTION	DATE	RELEASED BY
NC	INITIAL RELEASE	5-17-2005	R.TS



SPECIFICATIONS:

FREQUENCY:	0.5 - 8.0 GHz	
INSERTION LOSS:	0.5-4.0 GHz	1.9 dB MAX
	4.0-8.0 GHz	2.6 dB MAX
VSWR: (J0 ON ONLY) (J1 - J4 ON OR OFF)	2.0:1 MAX	
ISOLATION:	60 dB MIN	
SWITCHING SPEED:	100 nSEC	
CONTROL:	TTL LOW - INSERTION LOSS TTL HI - ISOLATION	
TEMPERATURE:		
OPERATING:	-54° TO +100° C	
STORAGE:	-54° TO +100° C	
BIAS CONDITIONS:	+5V @ 200 mA MAX -15V @ 75 mA MAX	

ITEM	QTY REQ'D	FSCM NO.	PART OR IDENTIFICATION NO.	NOMENCLATURE OR DESCRIPTION	MATERIAL SPECIFICATION
PARTS LIST					
UNLESS OTHERWISE SPECIFIED DIMENSIONS ARE IN INCHES TOLERANCES ARE: FRACTIONS DECIMALS ANGLES ± .XX± .02 ± .XXX± .010				CONTRACT NO.	
				SMT SIERRA MICROWAVE TECHNOLOGY	
MATERIAL:				APPROVALS	DATE
				DRAWN: DS RENFRDW 05-12-05	
				CHECKED:	
				DESIGN ENG.	
FINISH:				MAT. & PROCESSES	
				Q.A.	
603-0082-001		DJQ0580-101		SIZE B	FSCM NO. 1CY63
LIST OF MAT'L USED ON		APPLICATION		DWG NO. 605-0658-001	REV NC
		DO NOT SCALE DRAWING		SHEET OF	

603-0082-001	DJQ0580-101
LIST OF MAT'L	USED ON

APPLICATION

DO NOT SCALE DRAWING

SIZE B

FSCM NO. 1CY63

DWG NO. 605-0658-001

REV NC

BRDR SCALE

SHEET OF