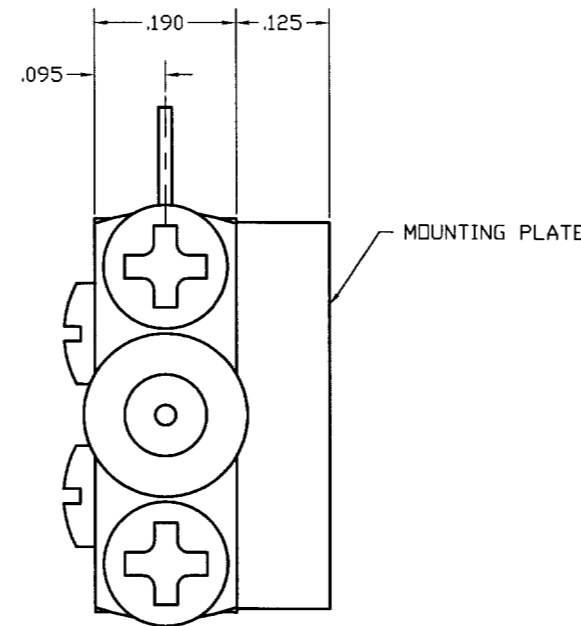
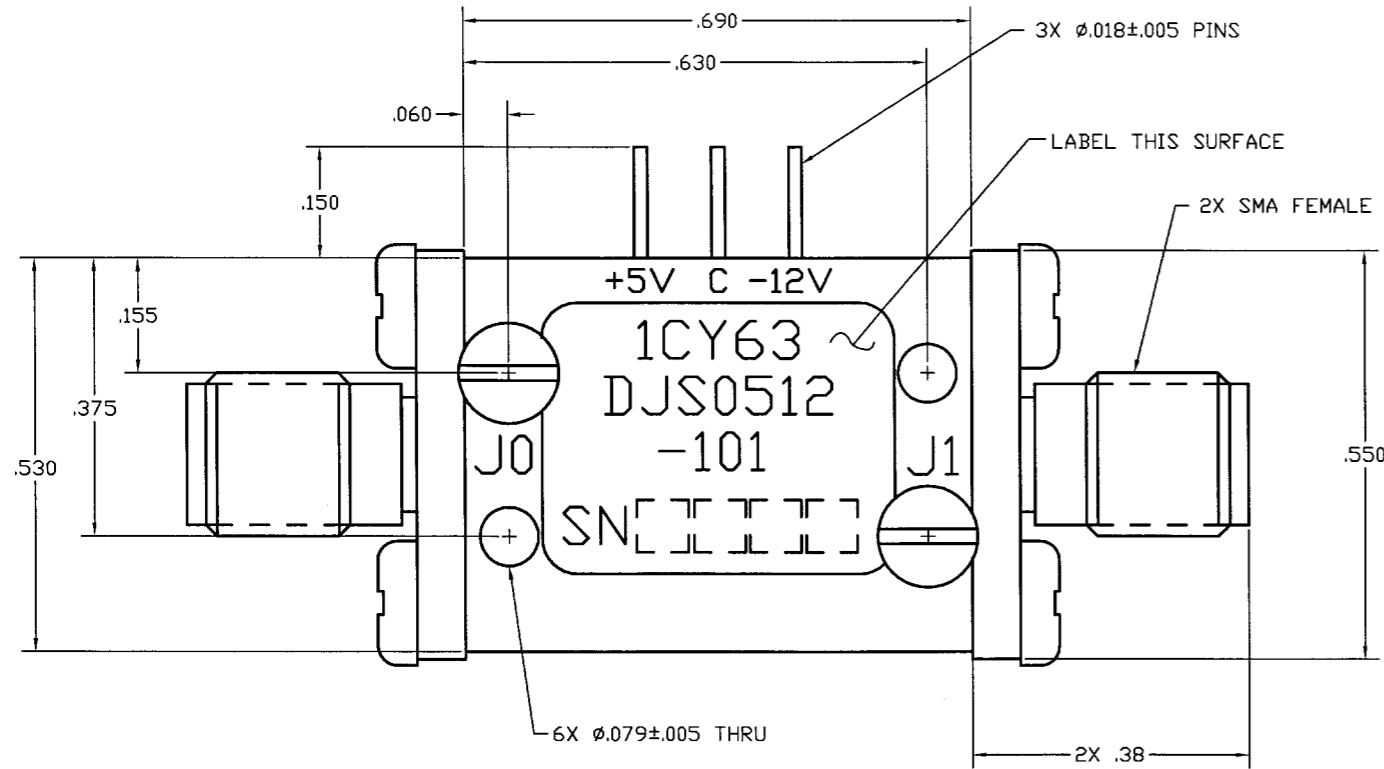


COMPUTER GENERATED DRAWING  
MANUAL CHANGES NOT AUTHORIZED

REVISIONS

REV.	DESCRIPTION	DATE	RELEASED BY
NC	INITIAL RELEASE	10-09-97	JLA
A	REV PER ECN: 6194	1-08-98	JLA
B	REV PER ECN: 6210	1-19-98	JLA
C	REV PER ECN: 6784	4-12-99	JLA
D	REV PER ECN: 6822, 9830	3-21-07	JLA



SPECIFICATIONS:

FREQUENCY RANGE:	0.5 - 12.0 GHz		
INSERTION LOSS:	0.5-4.0 GHz	1.5 dB	MAX
	4.0-8.0 GHz	1.8 dB	MAX
	8.0-12.0 GHz	1.9 dB	MAX
VSWR(50 OHM):	2.0:1 MAX		
J0 - ON ONLY			
J1 - ON OR OFF			
ISOLATION:	60 dB MIN		
SWITCHING SPEED:	100 nSEC		
TEMPERATURE	OPERATING -55°C TO +100°C		
	STORAGE -55°C TO +100°C		
CONTROL:	TTL LOW: INSERTION LOSS		
	TTL HIGH: ISOLATION		
BIAS CONDITIONS:	+5V±0.5V @ 50 mA MAX.		
	-12V @ 75 mA MAX.		

ITEM	QTY REQ'D	FSCM NO.	PART OR IDENTIFICATION NO.	NOMENCLATURE OR DESCRIPTION	MATERIAL SPECIFICATION
<b>PARTS LIST</b>					
UNLESS OTHERWISE SPECIFIED DIMENSIONS ARE IN INCHES TOLERANCES ARE: FRACTIONS DECIMALS ANGLES ± .XX± ± .XXX± .005			CONTRACT NO.		<b>SMT SIERRA MICROWAVE TECHNOLOGY</b>  TITLE:  OUTLINE FOR DJS0512-101
MATERIAL:			APPROVALS	DATE	
FINISH:			DRAWN: D STALEY	10-02-97	
LIST OF MAT'L			CHECKED:	DESIGN ENG. JLA	
USED ON			MAT. & PROCESSES	10-09-97	
APPLICATION			Q.A.		SIZE B
DO NOT SCALE DRAWING					FSCM NO. 1CY63
					DWG NO. 605-0402-001
					REV D
					BRDR SCALE
					SHEET OF

603-0020-001	DJSXXXX-001
LIST OF MAT'L	USED ON
<b>APPLICATION</b>	