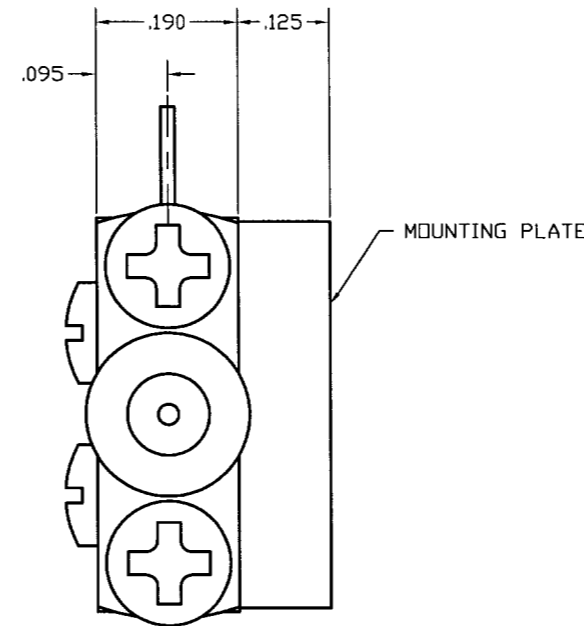
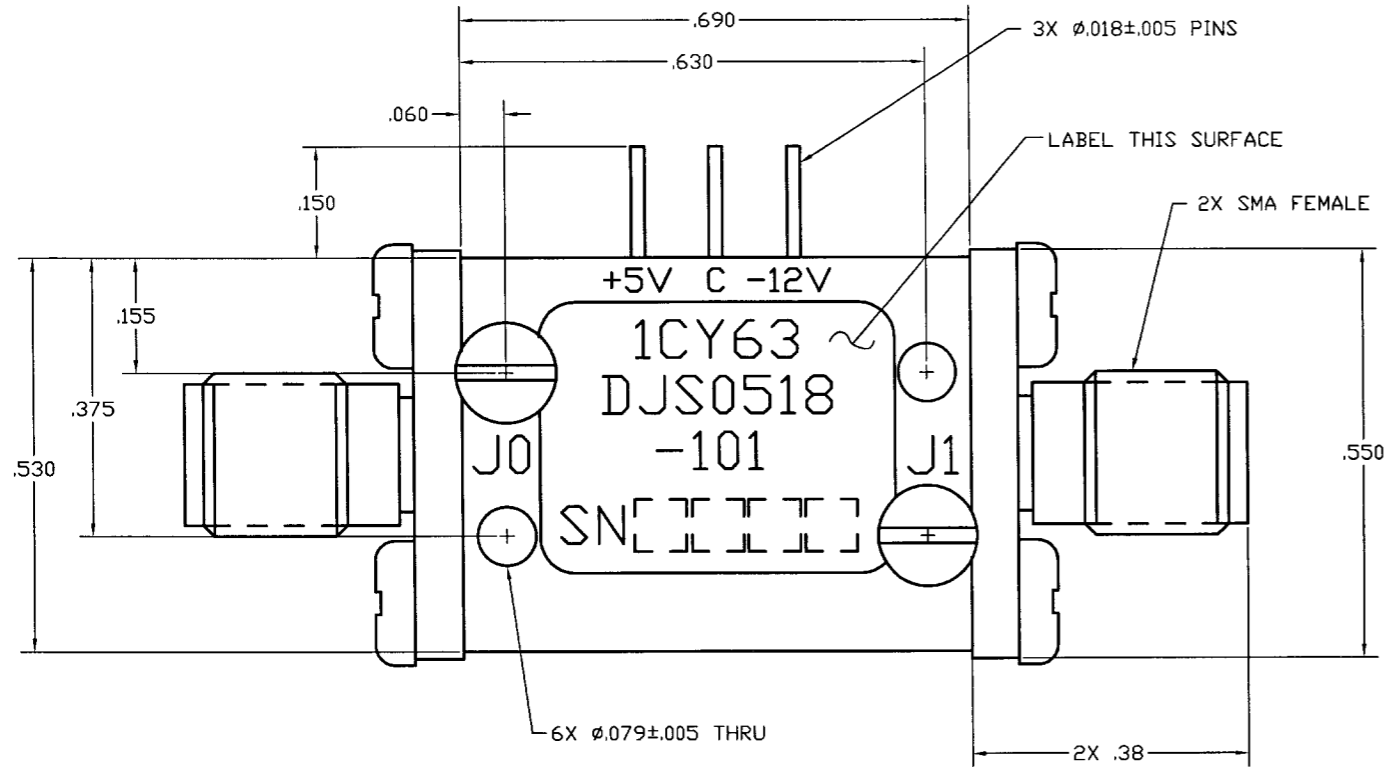


COMPUTER GENERATED DRAWING
MANUAL CHANGES NOT AUTHORIZED

REVISIONS

REV.	DESCRIPTION	DATE	RELEASED BY
NC	INITIAL RELEASE	4-20-94	KN
A	REV PER ECN: 6490, 6784	4-23-99	JLA
B	REV PER ECN: 7237	1-25-00	TR
C	REV PER ECN: 7239	4-22-00	TR
D	REV PER ECN: 8133	3-02-02	TR
E	REV PER ECN: 6822, 9830	3-27-05	AT



SPECIFICATIONS:

FREQUENCY RANGE:	0.5 - 18.0 GHz	
INSERTION LOSS:	0.5-4.0 GHz	1.5 dB MAX
	4.0-8.0 GHz	1.8 dB MAX
	8.0-12.0 GHz	1.9 dB MAX
	12.0-18.0 GHz	2.5 dB MAX
VSWR(50 OHM): J0 - ON ONLY J1 - ON OR OFF	0.5-12.0 GHz	2.0:1 MAX
	12.0-18.0 GHz	2.2:1 MAX
ISOLATION:	60 dB MIN	
SWITCHING SPEED:	100 nSEC	
TEMPERATURE	OPERATING	-55°C TO +100°C
	STORAGE	-55°C TO +100°C
CONTROL:	TTL LOW: INSERTION LOSS TTL HIGH: ISOLATION	
BIAS CONDITIONS:	+5V±0.5V @ 50 mA MAX.	
	-12V @ 75 mA MAX.	

ITEM	QTY REQ'D	FSCM NO.	PART OR IDENTIFICATION NO.	NOMENCLATURE OR DESCRIPTION	MATERIAL SPECIFICATION			
PARTS LIST								
UNLESS OTHERWISE SPECIFIED DIMENSIONS ARE IN INCHES TOLERANCES ARE: FRACTIONS DECIMALS ANGLES ± .XX± ± ± .XXX± .005				CONTRACT NO.	SMT SIERRA MICROWAVE TECHNOLOGY TITLE: OUTLINE FOR DJS0518-101			
MATERIAL:				APPROVALS		DATE		
FINISH:				DRAWN: A WILSON		2-20-93		
Q.A.				CHECKED: LD		5-25-93		
				DESIGN ENG: LD		5-25-93		
603-0020-001				DJSXXXX-001	SIZE B	FSCM NO. 1CY63	DWG NO. 605-0161-001	REV E
LIST OF MAT'L USED ON				APPLICATION		BRDR SCALE	SHEET	OF
				DO NOT SCALE DRAWING				