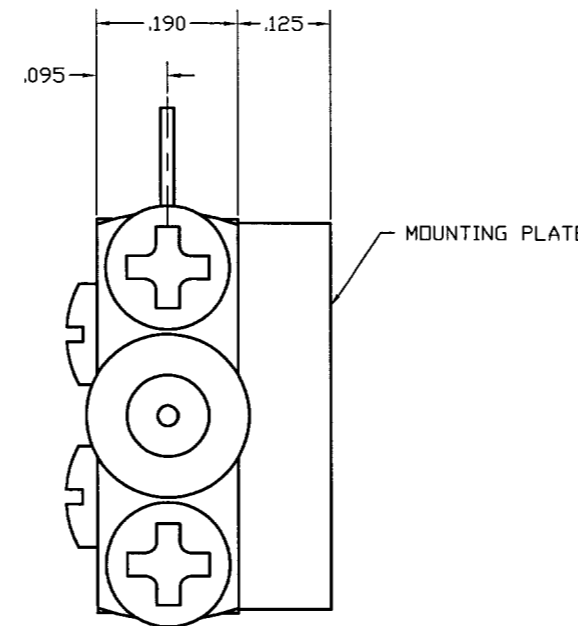
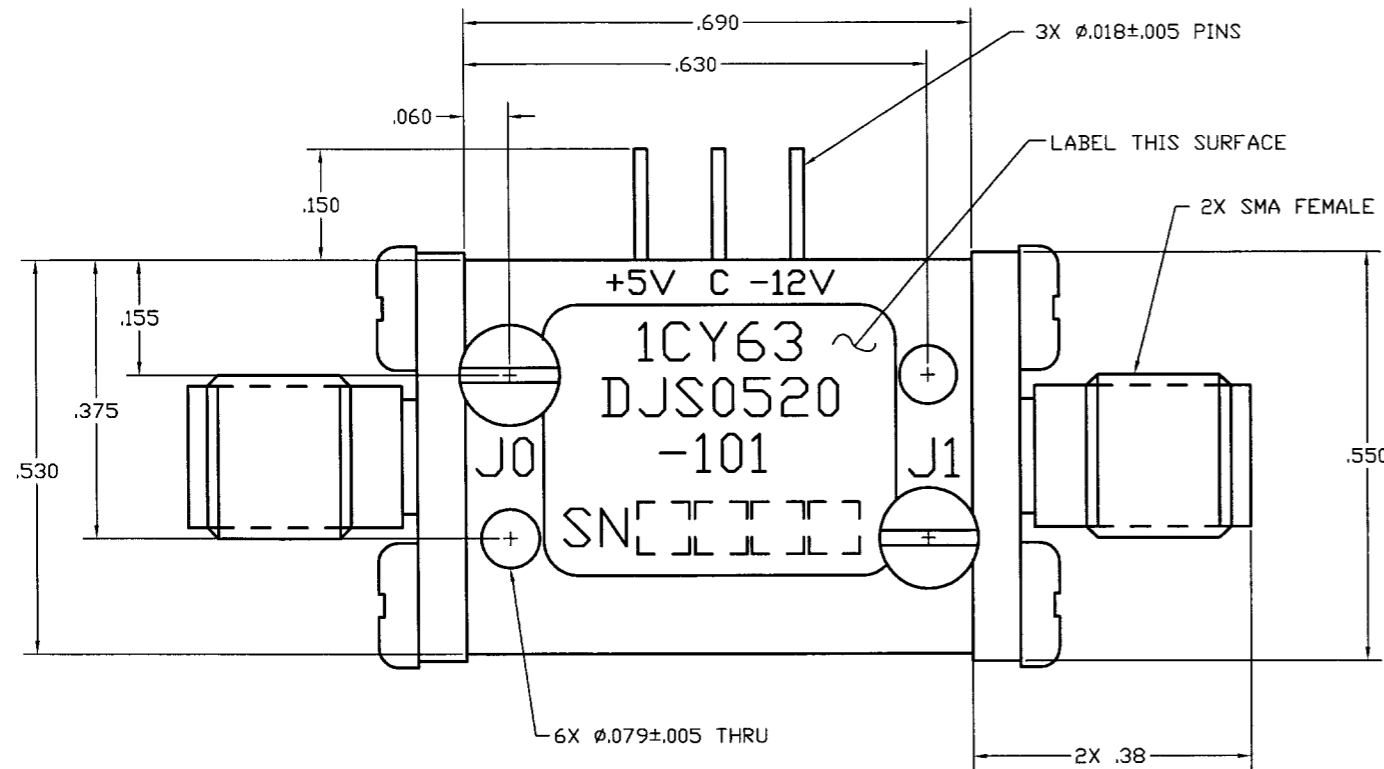


COMPUTER GENERATED DRAWING  
MANUAL CHANGES NOT AUTHORIZED

REVISIONS

REV.	DESCRIPTION	DATE	RELEASED BY
NC	INITIAL RELEASE	5-25-93	LD
A	REV PER ECN: 6784	4-12-99	JLA
B	REV PER ECN: 8216	4-23-02	ST
C	REV PER ECN: 6822, 9830	3-22-05	ST



SPECIFICATIONS:

FREQUENCY RANGE:	0.5 - 20.0 GHz	
INSERTION LOSS:	0.5-4.0 GHz	1.5 dB MAX
	4.0-8.0 GHz	1.8 dB MAX
	8.0-12.0 GHz	1.9 dB MAX
	12.0-18.0 GHz	2.5 dB MAX
	18.0-20.0 GHz	3.0 dB MAX
VSWR(50 OHM): J0 - ON ONLY J1 - ON OR OFF	0.5-12.0 GHz	2.0:1 MAX
	12.0-18.0 GHz	2.2:1 MAX
	18.0-20.0 GHz	2.3:1 MAX
ISOLATION:	60 dB MIN	
SWITCHING SPEED:	100 nSEC	
TEMPERATURE	OPERATING	-55°C TO +100°C
	STORAGE	-55°C TO +100°C
CONTROL:	TTL LOW: INSERTION LOSS TTL HIGH: ISOLATION	
BIAS CONDITIONS:	+5V±0.5V @ 50 mA MAX.	
	-12V @ 75 mA MAX.	

ITEM	QTY REQ'D	FSCM NO.	PART OR IDENTIFICATION NO.	NOMENCLATURE OR DESCRIPTION	MATERIAL SPECIFICATION		
<b>PARTS LIST</b>							
UNLESS OTHERWISE SPECIFIED DIMENSIONS ARE IN INCHES TOLERANCES ARE: FRACTIONS DECIMALS ANGLES ± .XX± ± ± .XXX± .005				CONTRACT NO.			
				<b>SMT SIERRA MICROWAVE TECHNOLOGY</b>			
MATERIAL:				APPROVALS	DATE		
				DRAWN: A WILSON		2-20-93	
				CHECKED: LD		5-25-93	
				DESIGN ENG. LD		5-25-93	
FINISH:				MAT. & PROCESSES			
				Q.A.			
603-0020-001		DJSXXXX-001		SIZE B	FSCM NO. 1CY63		
LIST OF MAT'L		USED ON		DWG NO. 605-0140-001	REV C		
<b>APPLICATION</b>				DO NOT SCALE DRAWING			
				BRDR SCALE	SHEET OF		



SIERRA MICROWAVE TECHNOLOGY

OUTLINE FOR DJS0520-101