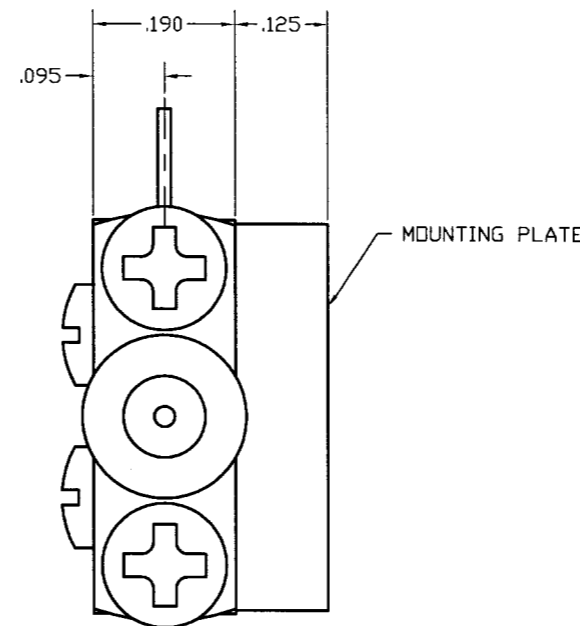
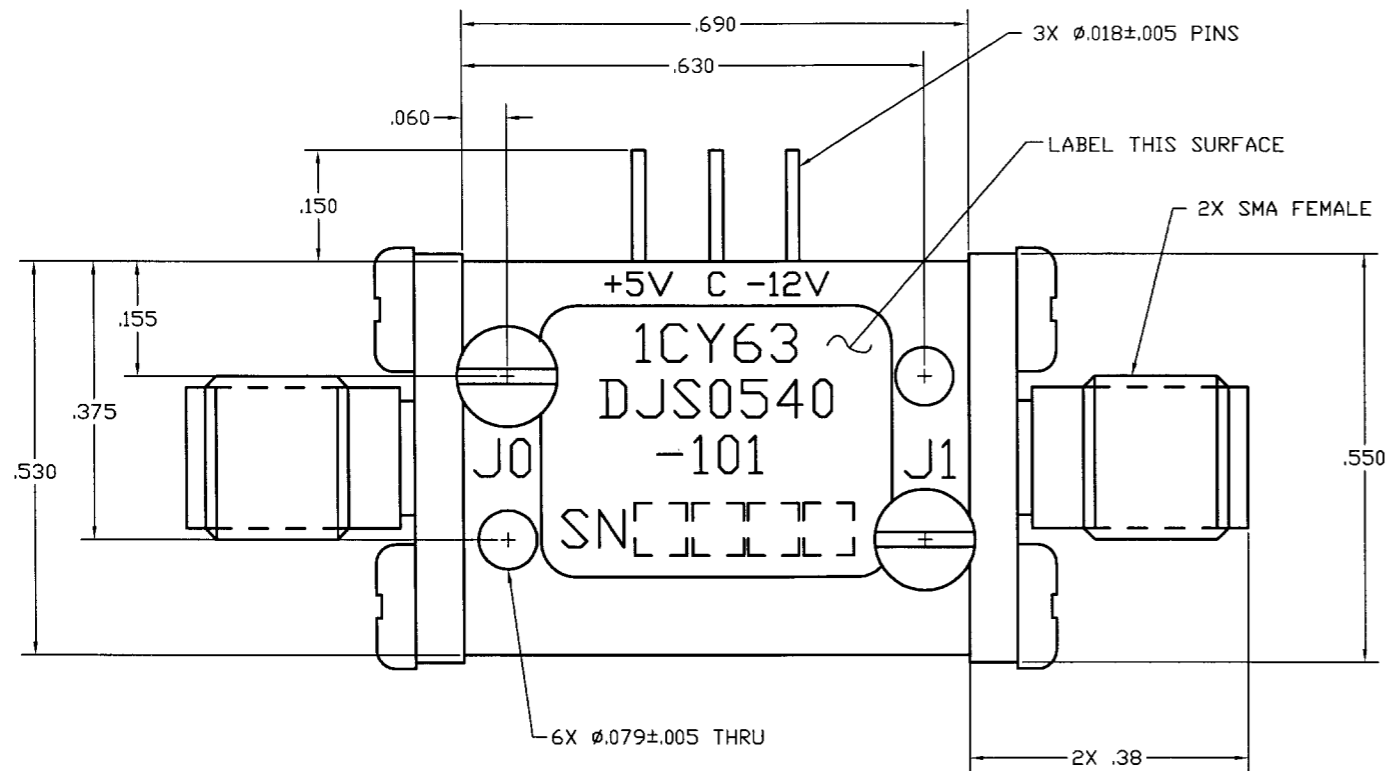


COMPUTER GENERATED DRAWING
MANUAL CHANGES NOT AUTHORIZED

REVISIONS

REV.	DESCRIPTION	DATE	RELEASED BY
NC	INITIAL RELEASE	5-05-94	KN
A	REV PER ECN: 6784	4-12-99	JLA
B	REV PER ECN: 6822, 9830	3-21-05	SM



SPECIFICATIONS:

FREQUENCY RANGE:	0.5 - 4.0 GHz
INSERTION LOSS:	1.5 dB MAX
VSWR(50 OHM): J0 - ON ONLY J1 - ON OR OFF	2.0:1 MAX
ISOLATION:	60 dB MIN
SWITCHING SPEED:	100 nSEC
TEMPERATURE OPERATING STORAGE	-55°C TO +100°C -55°C TO +100°C
CONTROL:	TTL LOW: INSERTION LOSS TTL HIGH: ISOLATION
BIAS CONDITIONS:	+5V±0.5V @ 50 mA MAX. -12V @ 75 mA MAX.

ITEM	QTY REQ'D	FSCM NO.	PART OR IDENTIFICATION NO.	NOMENCLATURE OR DESCRIPTION	MATERIAL SPECIFICATION				
PARTS LIST									
UNLESS OTHERWISE SPECIFIED DIMENSIONS ARE IN INCHES TOLERANCES ARE: FRACTIONS DECIMALS ANGLES ± .XX± ± .XXX± .005			CONTRACT NO.		 TITLE: OUTLINE FOR DJS0540-101				
MATERIAL:			APPROVALS	DATE					
FINISH:			DRAWN: PJC	5-05-94					
LIST OF MAT'L			CHECKED:						
USED ON			DESIGN ENG. K NENDZA	5-05-94					
APPLICATION			MAT. & PROCESSES		<table border="1" style="width: 100%;"> <tr> <td>SIZE B</td> <td>FSCM NO. 1CY63</td> <td>DWG NO. 605-0174-001</td> <td>REV B</td> </tr> </table>	SIZE B	FSCM NO. 1CY63	DWG NO. 605-0174-001	REV B
SIZE B	FSCM NO. 1CY63	DWG NO. 605-0174-001	REV B						
DO NOT SCALE DRAWING			Q.A.		BRDR SCALE				
					SHEET OF				

603-0020-001	DJSXXXX-001
LIST OF MAT'L	USED ON