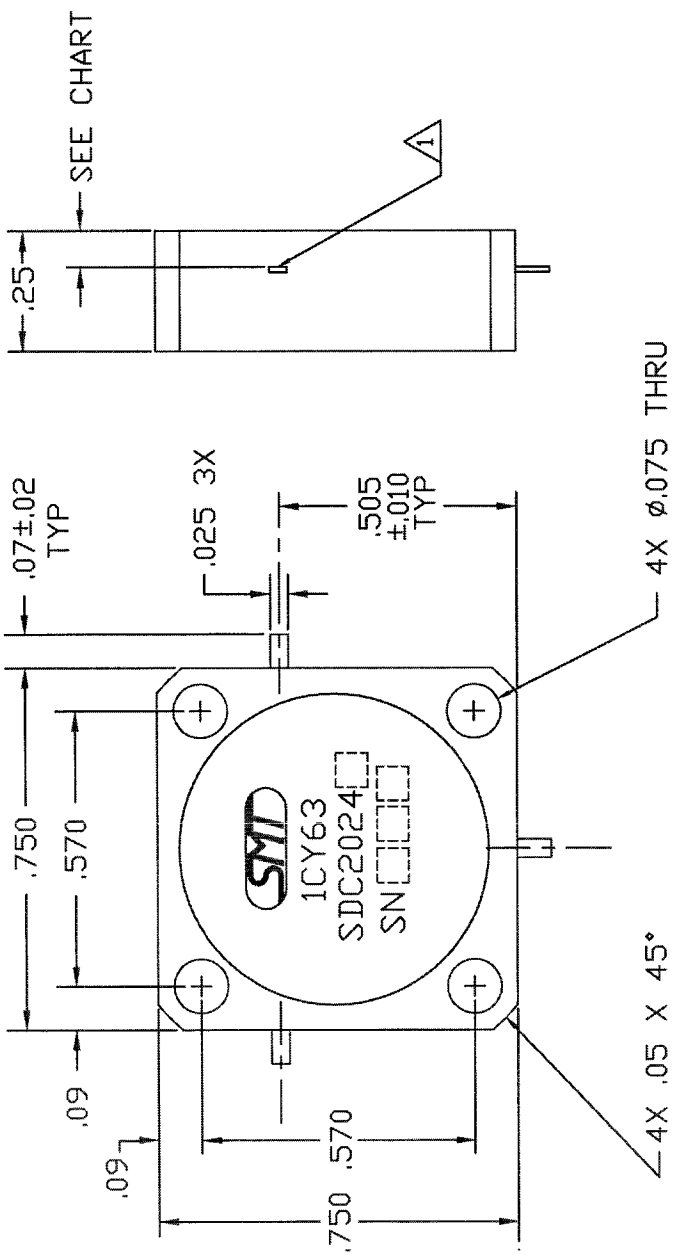


COMPUTER GENERATED DRAWING MANUAL CHANGES NOT AUTHORIZED		REVISIONS	
REV.	DESCRIPTION	DATE	RELEASED BY
NC	INITIAL RELEASE	1-25-96	T.R.
A	REV PER ECN: 5515	10-22-99	M.T.
B	REV PER ECN: 6966		



SPECIFICATIONS

- FREQUENCY RANGE 2.0 TO 2.4 GHz
- VSWR 1.30:1 MAX
- INSERTION LOSS 0.5 dB MAX
- TEMPERATURE RANGE
 - OPERATING -20° TO +65°C
 - STORAGE -54° TO +100°C

OPTION NO.	HEIGHT (NOM)
A	.065
B	.075
C	.090
D	.100
E	.120

3. CIRCULATION IS CLOCKWISE.
 2. CASE: STAINLESS STEEL NICKEL PLATED.
 1. TABS ARE .005±.001 THK. Be Cu, GOLD PLATED.
- NOTES:

ITEM	QTY	FRSC	FRSC	PART OR	NUMBER	MATERIAL
NO.	REQD	NO.	NO.	DESCRIPTION	OR	DESCRIPTION
CONTRACT NO. SMD SIERRA MICROWAVE TECHNOLOGY TITLE: OUTLINE FOR SDC2024-X APPROVALS: DATE: 1-25-96 DESIGNER: J. STALEY CHECKER: J. RODRIGUEZ DATE: 1-25-96 DRAWN BY: J. RODRIGUEZ DATE: 1-25-96 PLOT: 1-25-96						
PARTS LIST						
DO NOT SCALE DRAWING						
APPLICATION						
203-0132-001 SDC2024-X						
LIST OF MAT'L USED ON						
SIZE: 1CY63 DWG NO: 205-2222-001						
REV: B						
SHEET: OF						