

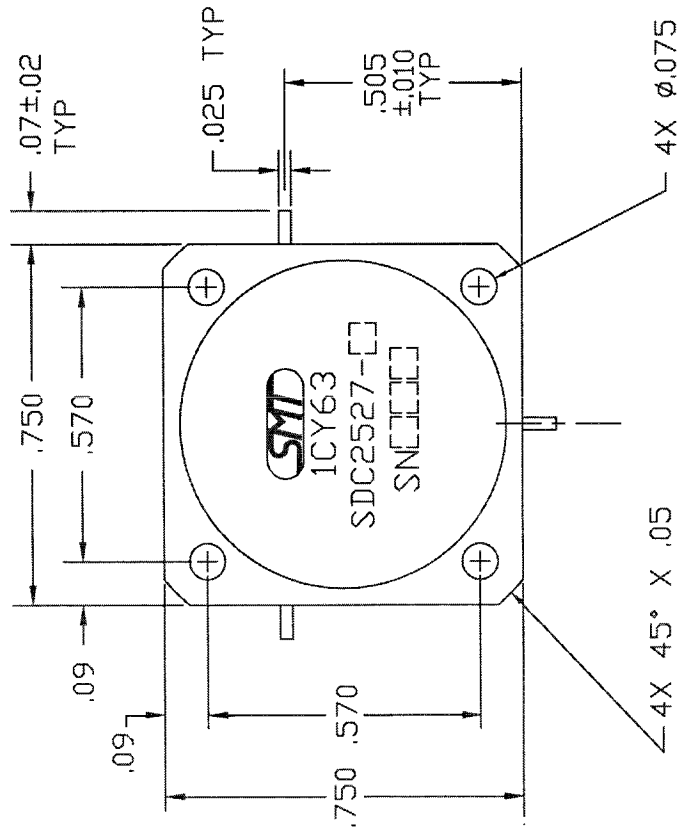
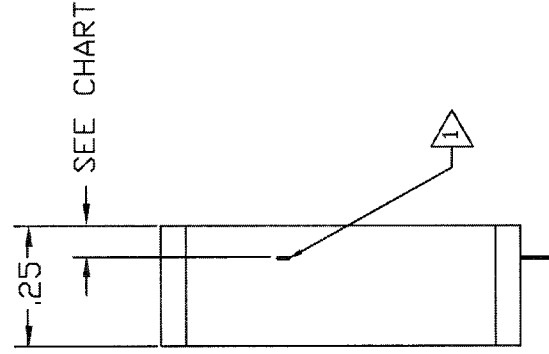
COMPUTER GENERATED DRAWING
MANUAL CHANGES NOT AUTHORIZED

REVISIONS

REV.	DESCRIPTION	DATE	RELEASED BY
NC	INITIAL RELEASE		

SPECIFICATIONS

- FREQUENCY RANGE.....2.500 - 2.700 GHz
- VSWR.....1.25:1 MAX
- INSERTION LOSS.....0.4 dB MAX
- TEMPERATURE
 OPERATING.....-54° TO +100°C
 STORAGE.....-55° TO +100°C



TAB HEIGHT TABLE

OPTION NO.	HEIGHT (NOM.)
A	.065
B	.075
C	.090
D	.100
E	.120

ITEM	QTY	FROM	PART OR	DESCRIPTION	REVISIONS	DATE	RELEASED BY

CONTRACT NO. SMD SIERRA MICROWAVE TECHNOLOGY 203-0150-001		DATE 10-21-99	
APPROVALS E. SVEAT		DATE	
DESIGNER M. J. MCGHEE		CHECKED M. J. MCGHEE	
DRAWN M. J. MCGHEE		DATE	
TITLE OUTLINE FOR SDC2527-X		PARTS LIST	
SIZE B		DWG NO. 205-3069-001	
REVISIONS		SHEET 01 OF	

- CIRCULATION IS CLOCKWISE.
- CASE: STAINLESS STEEL NICKEL PLATED.
 TABS ARE .005±.001 THK. Be Cu, GOLD PLATED OR SOLDER TINNED.

NOTES:

APPLICATION

DO NOT SCALE DRAWING